

450IS THREE-WAY SPLITTER UIS-SP3



The Smart Com 450IS three-way splitter enables branching of Leaky Feeder cable and is a fully functional splitter for the frequencies 10 MHz - 2.7 GHz. This three-way splitter may also be used in Smart Com 450 systems.



UIS-SP3

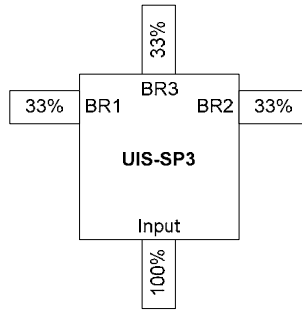
Product Specifications

Part Number	UIS-SP3
Physical	
Construction	Single Printed Circuit Board
Enclosure	Aluminum
Dimensions (L x W x H)	108 x 83 x 22.2 mm (4.25 x 3.27 x 0.87 in)
Weight (nominal)	0.251 kg (0.55 lbs)
Connectors	4 N-Type Jacks
Conformal Coating	No
Environmental	
Temperature Range	-65 to +85° C (-85 to +185 °F)
Electrical	
Voltage	Voltage Passing
Max Current	2.2 A
RF Characteristics	
Input Impedance	50 ohms
Output Impedance	50 ohms (on all ports)
Frequency Range	10 MHz – 2.7 GHz
Isolation	30 dB avg
RF Loss	BR1: 7 dB BR2: 7 dB BR3: 7 dB
Approvals	
RoHS Compliant	Yes
Intrinsic Safety	Pending
CE Certification	No

Installation

Use the following guidelines to ensure proper installation of Three-way Splitters:

- Each branch of the three-way splitter presents a signal loss equivalent to 120 m (394 ft) of LF cable or ~7 dB.



- Reduce Leaky Feeder cable length by 120 m (394 ft) for each branch as shown below.

